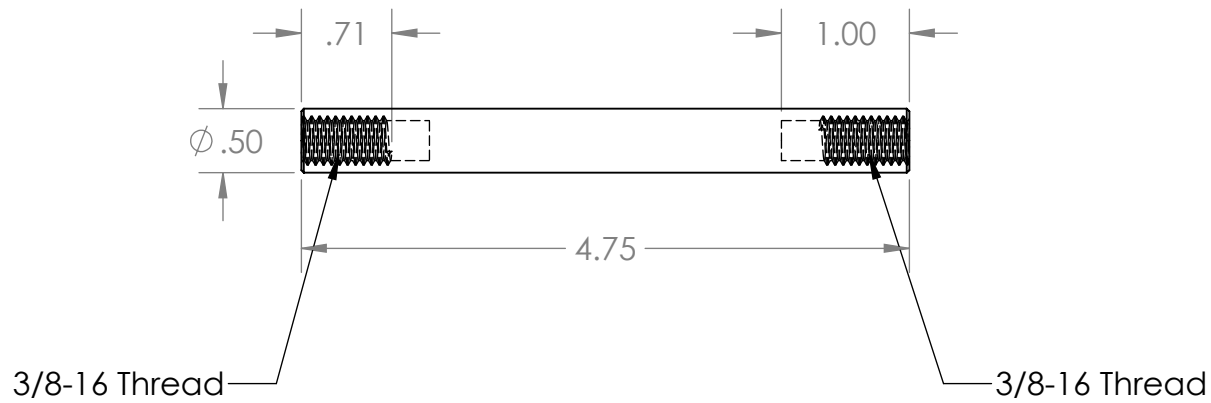


B



B



A

		UNLESS OTHERWISE SPECIFIED:	NAME	DATE	TITLE: <b>Round Roller Shaft 3/8"-16 Threaded Ends</b>			
		DIMENSIONS ARE IN INCHES TOLERANCES: $\pm 0.01$	DRAWN	Charles Kirk			1/15/19	
			CHECKED					
			ENG APPR.					
			MFG APPR.					
		INTERPRET GEOMETRIC TOLERANCING PER:	Q.A.					
		MATERIAL	COMMENTS:					
		FINISH				SIZE	DWG. NO.	REV
NEXT ASSY		USED ON				<b>A</b>	MP5242T47538	
APPLICATION		DO NOT SCALE DRAWING				SCALE: 1:2	WEIGHT:	SHEET 1 OF 1

A

**PROPRIETARY AND CONFIDENTIAL**  
THE INFORMATION CONTAINED IN THIS DRAWING IS THE SOLE PROPERTY OF MASON PLASTICS COMPANY. ANY REPRODUCTION IN PART OR AS A WHOLE WITHOUT THE WRITTEN PERMISSION OF MASON PLASTICS COMPANY IS PROHIBITED.

2

1