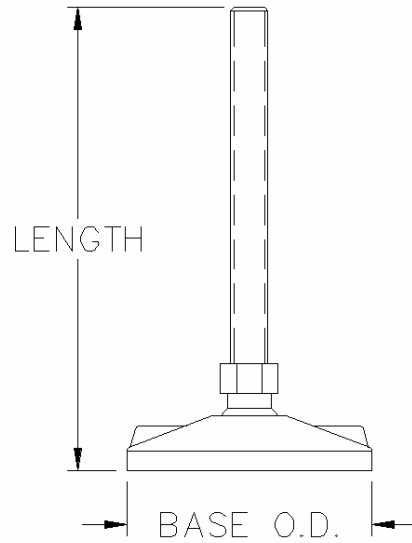


# SOLID BASE LEVELERS



PART NUMBER	Thread Size	Stainless	L Dim.
<b>Without Lag Holes</b>			
MU-704-7-12-SS	1/2-13	SS	7.68"
MU-704-7-58-SS	5/8-11	SS	7.68"
MU-704-7-34-SS	3/4-10	SS	7.68"
MU-704-10-34-SS	3/4-10	SS	10.68"
MU-704-7-M16-S	16 mm	S	7.68"
MU-704-7-M20-S	20 mm	S	7.68"

**Usage:** Conveyor and machinery support

**Maximum Static Load:** 2600 lbs.

**Solid Base Leveler** has permanently-filled, non-skid urethane base which seals out harmful bacteria. The leveler is approximately 1/8" higher than traditional levelers.