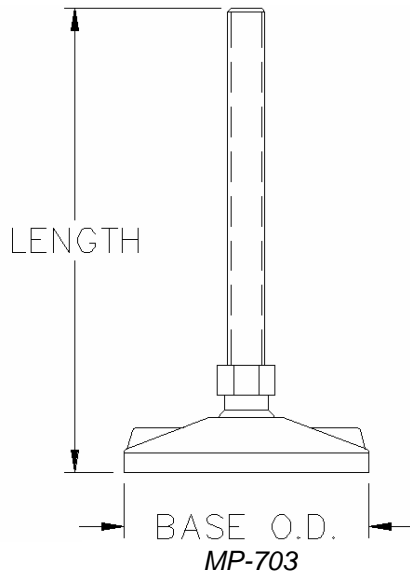


ADJUSTABLE LEVELERS WITH 3" BASE



PART NUMBER		Thread Size	Zinc Plated	Stainless	L Dim.
With Lag Holes	Without Lag Holes				
MP-H-703-38-3-PL	MP-703-38-3-PL	3/8-16	PL		3.89"
MP-H-703-38-3-SS	MP-703-38-3-SS	3/8-16		SS	3.89"
MP-H-703-12-3-PL	MP-703-38-3-PL	1/2-13	PL		3.89"
MP-H-703-12-3-SS	MP-703-12-3-SS	1/2-13		SS	3.89"
MP-H-703-12-5-PL	MP-703-12-5-PL	1/2-13	PL		6.10"
MP-H-703-12-5-SS	MP-703-12-5-SS	1/2-13		SS	6.10"
MP-H-703-58-3-PL	MP-703-58-3-PL	5/8-11	PL		3.89"
MP-H-703-58-3-SS	MP-703-58-3-SS	5/8-11		SS	3.89"
MP-H-703-58-5-PL	MP-703-58-5-PL	5/8-11	PL		6.10"
MP-H-703-58-5-SS	MP-703-58-5-SS	5/8-11		SS	6.10"

METRIC		Thread Size	Zinc Plated	Stainless	L Dim.
With Lag Holes	Without Lag Holes				
MP-H-703-M10-3-P	MP-703-M10-3-P	M10 1.5	P		3.89"
MP-H-703-M10-3-S	MP-703-M10-3-S	M10 1.5		S	3.89"

Usage: Conveyor and machinery support
Maximum Load: 1400 lbs.