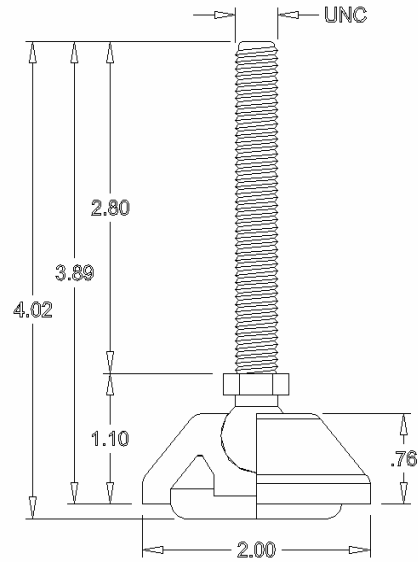


ADJUSTABLE LEVELERS WITH 2" BASE



PART NUMBER		Thread Size	Zinc Plated	Stainless	L Dim.
With Vibration Pad	Without Vibration Pad				
MP-702-P-38-3-PL	MP-702-38-3-PL	3/8-16	PL		3.89"
MP-702-P-38-3-SS	MP-702-38-3-SS	3/8-16		SS	3.89"
MP-702-P-12-3-PL	MP-702-38-3-PL	1/2-13	PL		3.89"
MP-702-P-12-3-SS	MP-702-12-3-SS	1/2-13		SS	3.89"
MP-702-P-58-3-PL	MP-702-58-3-PL	5/8-11	PL		3.89"
MP-702-P-58-3-SS	MP-702-58-3-SS	5/8-11		SS	3.89"

METRIC		Thread Size	Zinc Plated	Stainless	L Dim.
With Vibration Pad	Without Vibration Pad				
MP-702-P-M10-3-P	MP-702-M10-3-P	M10 1.5	P		3.89"
MP-702-P-M10-3-S	MP-702-M10-3-S	M10 1.5		S	3.89"

Usage: Conveyor and machinery support.

Maximum Load: 700 lbs.