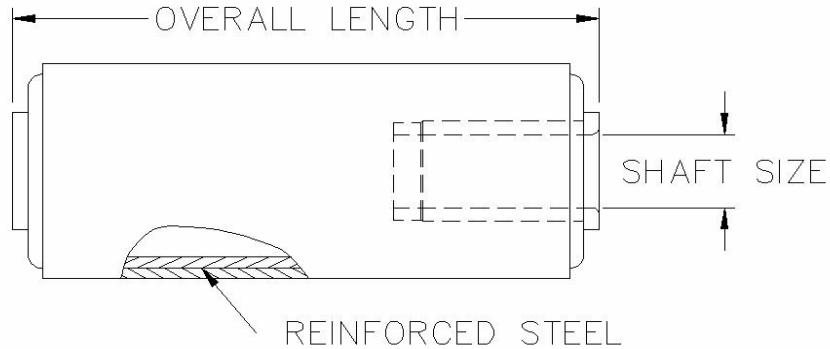


# REINFORCED PVC ROLLERS

**Grey** PVC Roller with reinforced tubing inside to allow ten times the strength and rigidity of standard rollers. Available in thru bore or blind bore.



Part No.	Description	Shaft Size		Bearing Material		Bore		Distance Between Frames
				<i>N</i>	<i>U</i>	<i>B</i>	<i>T</i>	(please specify)
12	1/2"			<i>Nylon Alloy</i>		<i>Blind</i>		
916	9/16"			<i>UHMW</i>		<i>Thru</i>		
58	5/8"							
34	3/4"							

Part Number