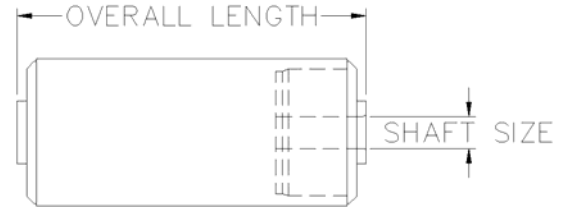


PVC ROLLERS WITH BLIND BORE SLEEVE BEARING

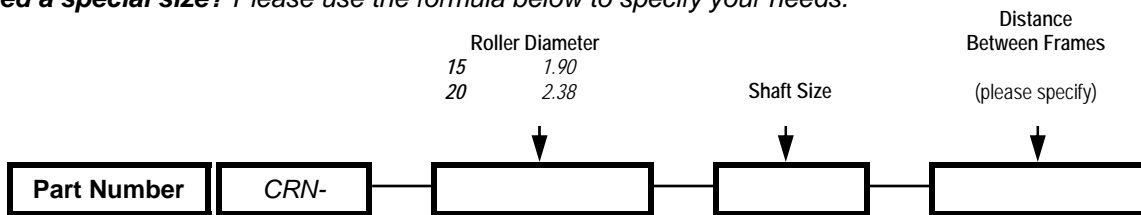
Part No.	Roller Diameter	Shaft Size
CRN-15-12-B	1.9	1/2"
CRN-15-58-B	1.9	5/8"
CRN-20-12-B	2.375	1/2"
CRN-20-58-B	2.375	5/8"



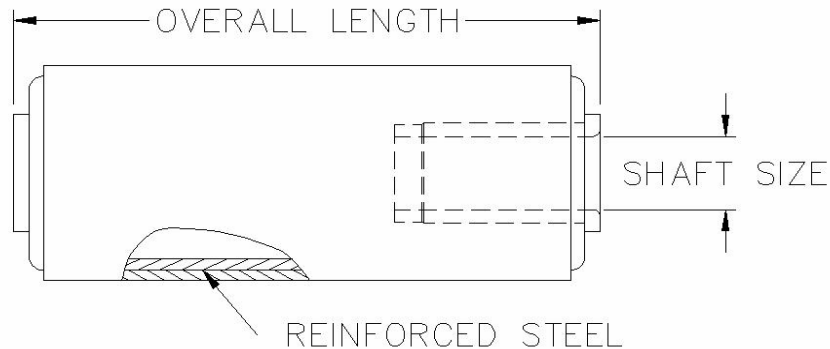
CRN series with One-Piece Nylon Alloy Roll Ends

Available in standard lengths with blind hole, to keep contaminants out. Stub shafts are not included.

Need a special size? Please use the formula below to specify your needs.



REINFORCED PVC ROLLERS



Grey PVC Roller with reinforced tubing inside to allow ten times the strength and rigidity of standard rollers. Available in thru bore or blind bore.

Part No.	Description	Bearing Material	Bore	Distance Between Frames
12	1/2"	N Nylon Alloy	B Blind	(please specify)
916	9/16"	U UHMW	T Thru	
58	5/8"			
34	3/4"			

